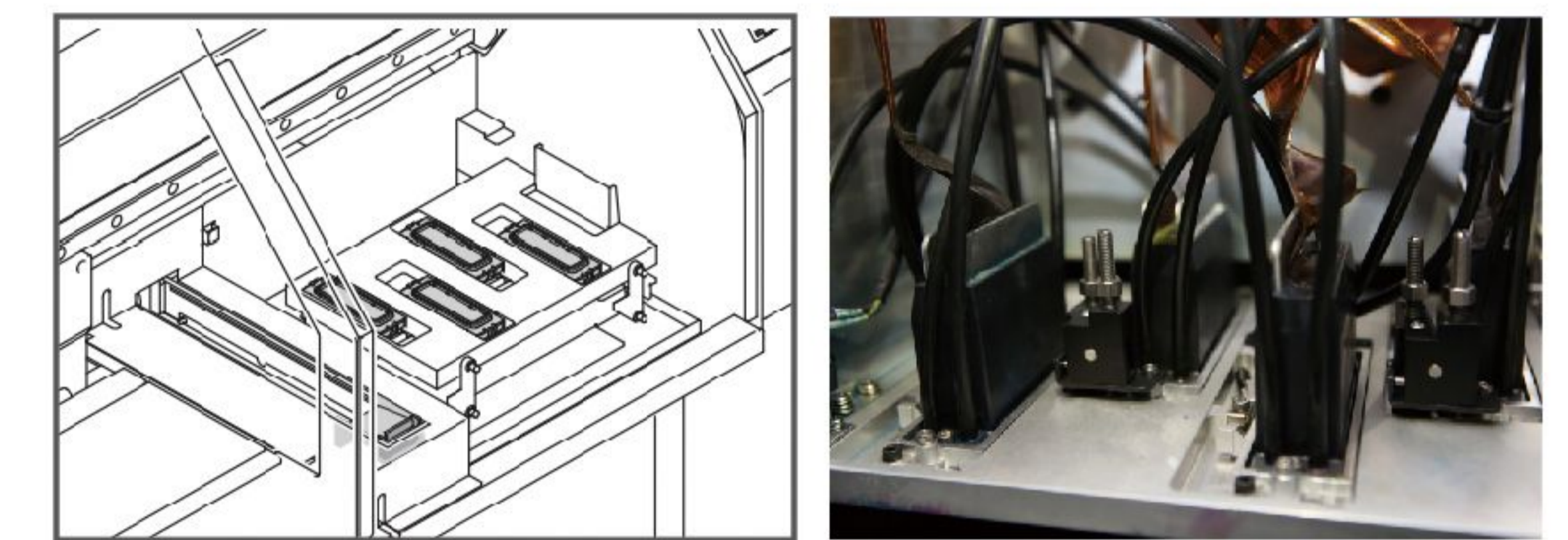
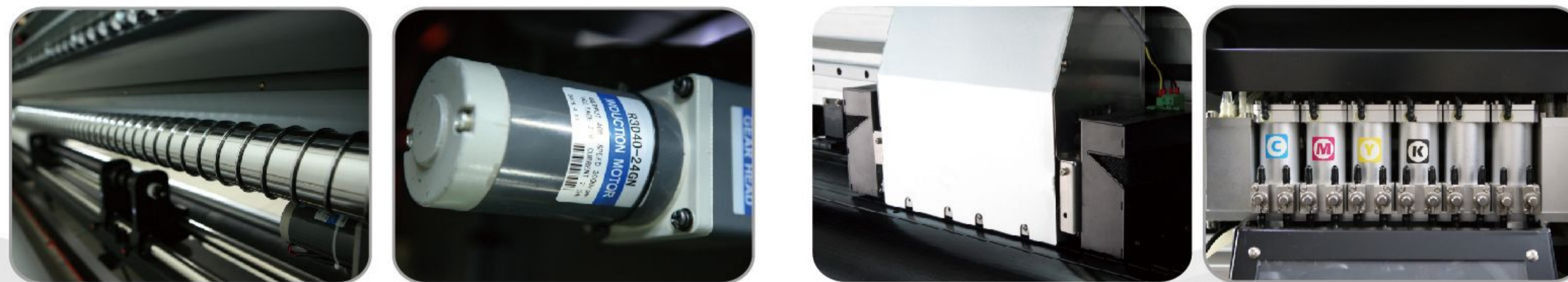


CR-3200UV2
CR-3200UV3
CR-3200UV4
UV Printer



Ricoh Gen5 Print Head



Soft Film Feeding System

High Precision Electric Negative Pressure System



User Friendly Mechanical Design

SPECIFICATIONS

Model	CR-3200UV2	CR-3200UV3	CR-3200UV4	
Print Head	Dual GEN5 Print Heads	Three GEN5 Print Heads	Four GEN5 Print Heads	
Printing Technology	Piezoelectric Inkjet			
Acceptable Media	Width	128 in.(3250 mm)		
	Thickness	Maximum 39 mil(1 mm)		
Printing Width	Weight	176 lb.(80 kg)		
	Type	UV Curing Ink		
Ink Cartridges	Capacity	4*4 CISS / 6*6 CISS (220ml ink cartridge with 1.5L ink tank)	4 colors (C, M, Y, K)	
	Color	4 colors (C, M, Y, K) 6 colors (C, M, Y, K, LC, LM)	5 colors (C, M, Y, K,W)	
Ink Curing Unit	Dual UV LED Lamps			
Printing Resolution	Maximum 1200 dpi			
Printing Speed	6pass	(720x900dpi): 161 sqft (15 sqm/h)	(720x900dpi): 161 sqft (15 sqm/h)	(720x900dpi): 290 sqft (27 sqm/h)
	8pass	(720x1200dpi): 129 sqft (12 sqm/h)	(720x1200dpi): 129 sqft (12 sqm/h)	(720x1200dpi): 215 sqft (20 sqm/h)
Interface	USB 2.0			
Power Supply	AC 220V ± 10%, 50/60 HZ			
Dimensions(with stand)	182(W)x38(D)x61(H) in. (4620(W)x970(D)x1560(H) mm)			
Weight(with stand)	1102 lb. (500 kg)			
Package Dimensions	195(W)x44(D)x68(H) in. (4950(W)x1120(D)x1730(H) mm)			
Package Weight	1433 lb. (650 kg)			
Environment	Power on	Temperature: 59 ℉ to 90 ℉ [15℃ to 32℃] / Humidity: 35 to 80% (no condensation)		
	Power off	Temperature: 41 ℉ to 104 ℉ [5℃ to 40℃] / Humidity: 20 to 80% (no condensation)		
Accessories	USB cable, media clamp, manual, ink cartridges, RIP software, etc.			